

MLX90422

TRIAxis® MAINSTREAM

MAGNETIC
POSITION SENSOR



Featured with magnetoreception, homing pigeons have the ability to sense Earth's magnetic field. This faculty explains their impressive navigation skills.

The MLX90422 is designed for use in cost-sensitive automotive applications including powertrain actuators, pedal positioning, fuel level gauges and transmission systems, though also suitable for industrial implementations. The MLX90422 offers a SENT output.

MLX90422



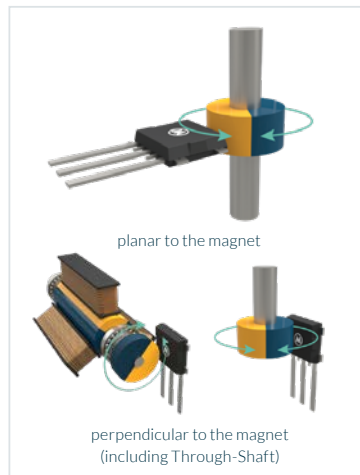
The MLX90422 is a monolithic magnetic position sensor IC sensitive to the three components of a magnetic flux density applied to the ICs (i.e. B_x , B_y and B_z). It consists of a Triaxis® Hall magnetic front end, an analog to digital signal conditioner, a DSP for advanced signal processing and a programmable output stage driver (SENT).

The MLX90422 has superior capabilities in terms of functional safety, electromagnetic compliance (EMC) characteristics and supports operating temperature up to 160 °C

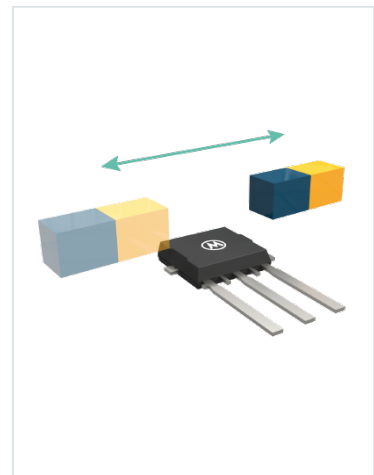
On-axis



Off-axis



Linear

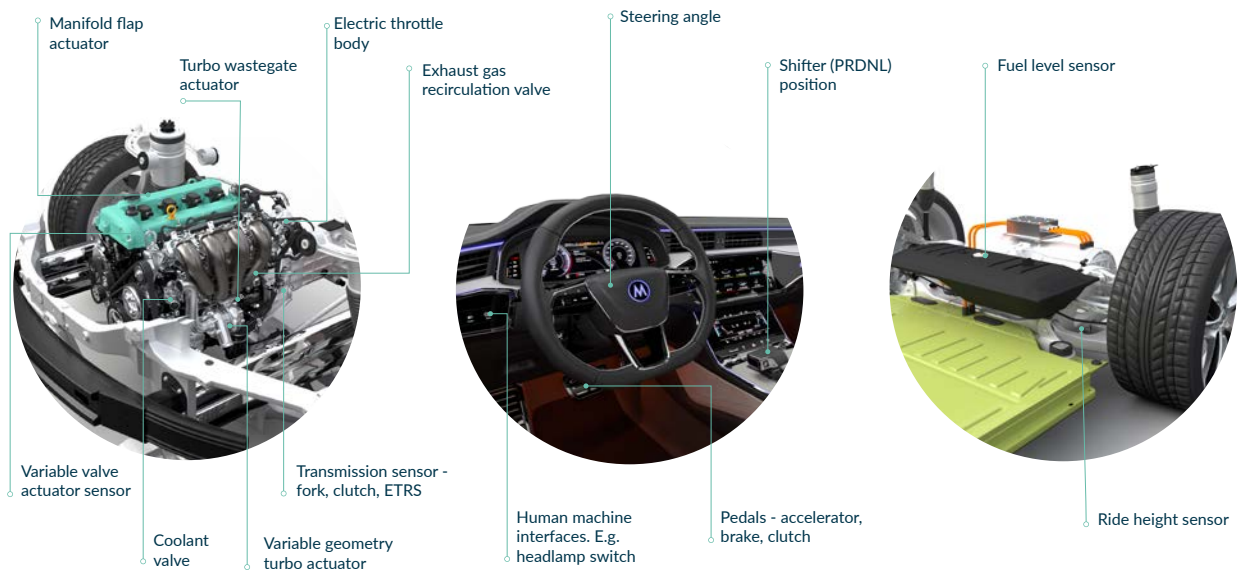


KEY FEATURES

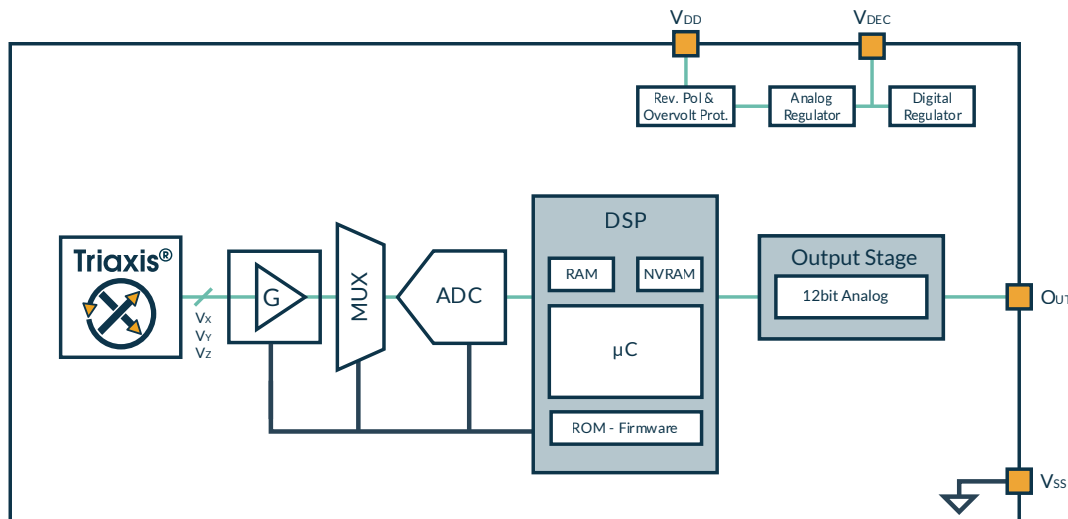
- ✓ SENT output (SAE J2716 APR2016)
- ✓ Programmable Measurement Range
- ✓ Programmable Linear Transfer Characteristic (4 or 16 points PWL)
- ✓ Operating temperature from -40°C to 160°C
- ✓ Triaxis® Hall Technology
- ✓ On Chip Signal Processing for Robust Absolute Position Sensing
- ✓ Packages, RoHS compliant
 - SOIC-8 (DC) Single Die
 - TSSOP-16 (GO) Dual Die (redundancy)
 - DMP-4 (VS), Single Die PCBless solution
 - SMP-3 (VE), Single Die PCBless solution
 - SMP-4 (VD), Dual Die PCBless solution
- ✓ Certification
 - AEC-Q100 Grade-0
 - ISO26262 ASIL-B Safety Element out of Context (SEooC)

APPLICATION EXAMPLES

- ✓ Absolute Rotary Position Sensor
- ✓ Absolute Linear Position Sensor
- ✓ Float-Level Sensor
- ✓ Non-Contacting Potentiometer



BLOCK DIAGRAM



The above information is "as is" and believed to be correct and accurate. Melexis disclaims any and all liability in connection with or arising out of the furnishing, application or use of the information or products; any and all liability, including without limitation, special, consequential or incidental damages and any and all warranties, express, statutory, implied, or by description, including warranties of fitness for particular purpose, non-infringement and merchantability. Melexis reserves the right to change it at any time and without notice. Users should obtain the latest version of the information to verify it is current. Users must further determine the suitability of a product for its application, including the level of reliability required and determine whether it is fit for a particular purpose. Export control regulations may apply and export might require a prior authorization from competent authorities. Melexis' products are intended for use in normal commercial applications. Unless otherwise agreed upon in writing, the products are not designed, authorized or warranted to be suitable in applications requiring extended temperature range and/or unusual environmental requirements. High reliability applications, such as medical life-support or life-sustaining equipment are specifically not recommended by Melexis. Melexis' products are sold under the Melexis' Terms of Sale, which can be found at <https://www.melexis.com/en/legal/terms-and-conditions>.