

Melexis

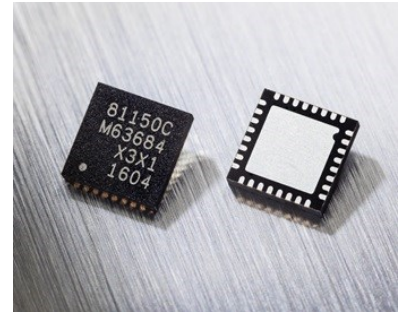
DC / BLDC / Stepper Motor Drivers

MLX81310/15

[www.melexis.com/mlx81310](http://www.melexis.com/mlx81310)

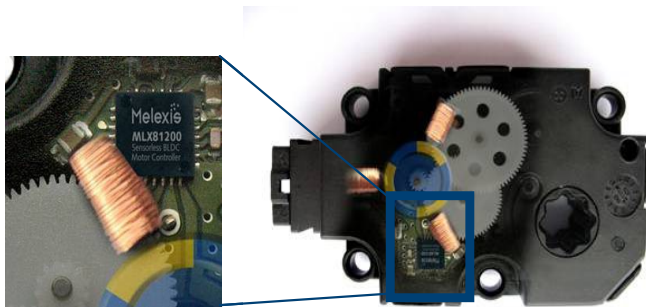
## Smart Motor Drivers for Small Actuators

The MLX81310/15 is a highly integrated motor driver IC family for 12V automotive applications. It includes a Flash MCU with high-voltage analog periphery for smart motor driving in a very compact actuator module.

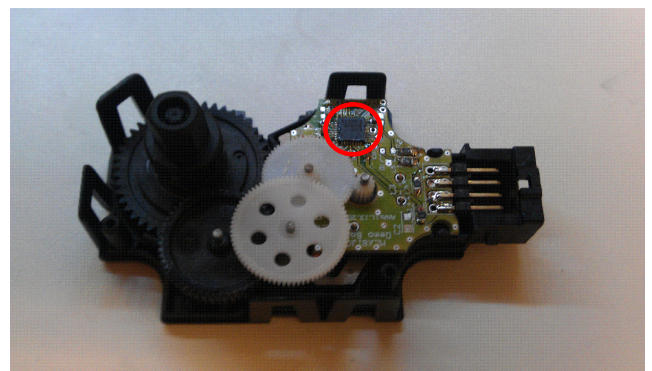


### Benefits

- Very small pcb
- Easy LIN networking
- Efficient & silent motor drive
- Robust diagnostics & communication
- Failsafe operation in noisy & hot environment
- Future-proof IC family roadmap
- Drives DC, BLDC or Bipolar Stepper motors
- Available embedded software functions for:
  - Sensorless motor drive with BLDC & Stepper
  - Robust application diagnostics
  - ECU communication
  - Flash bootloading
- The MLX81310/15 target applications are small automotive actuator systems, such as **HVAC flaps (airco dampers), automatic air grille shutters, headlights, and small valves.**



MLX813xx driving a small BLDC motor



Compact PCB solution



# DC / BLDC / Stepper Motor Drivers MLX81310/15

www.melexis.com/mlx81310

## Features

Package: QFN32, 5x5 mm

- AEC-Q100 Grade1, up to 150C T-junction

### Integrated Flash Microcontroller

- 32KB Flash, 2KB SRAM, 4x 128B EEPROM
- Lower-cost 32KB ROM for high-volume
- 16-bit application MCU + 4-bit communication MCU
- Fast 32-bit hardware multiplication and division
- Integrated RC clock oscillator & 32 MHz PLL
- Operating supply 5.5V...20V
- MCU control in 3.9V...28V range
- 10-bit ADC, 24 channels, automatic DMA storage
- 8x IO pins for Digital IO, ADC, Timer/Capture, SPI
- Sleep mode current < 30µA typical

### Motor Control Peripherals

- On-chip halfbridge drivers
  - 81310: 4 drivers <0.5A motor current
  - 81315: 4 drivers <1 A motor current
- Up to 4x motor control PWM timers (mirror/edge)
- On-chip motor current sense with integrated opamp
- On-chip motor voltage sensing (phases & supply)
- Hardware + software diagnostic & protection
  - Over/UnderVoltage
  - OverTemperature
  - OverCurrent
  - FET open/short check

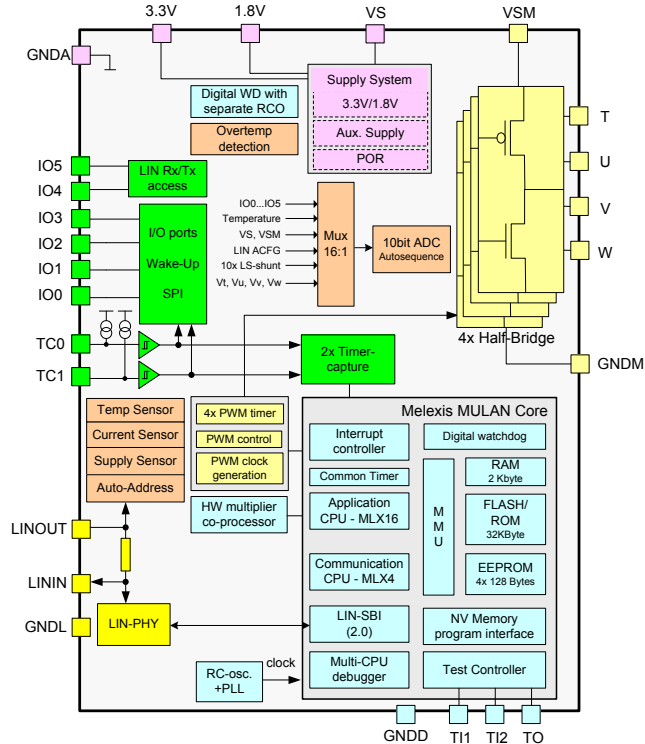
### Communication

- Supports LIN 1.3, LIN 2.x, SAE J2602
- Supports PWM bidirectional communication
- Supports Auto-addressing for multiple modules
- Flash re-programming via LIN/PWM pin on module
- SPI option for sensor, CAN interface, diagnostic tool

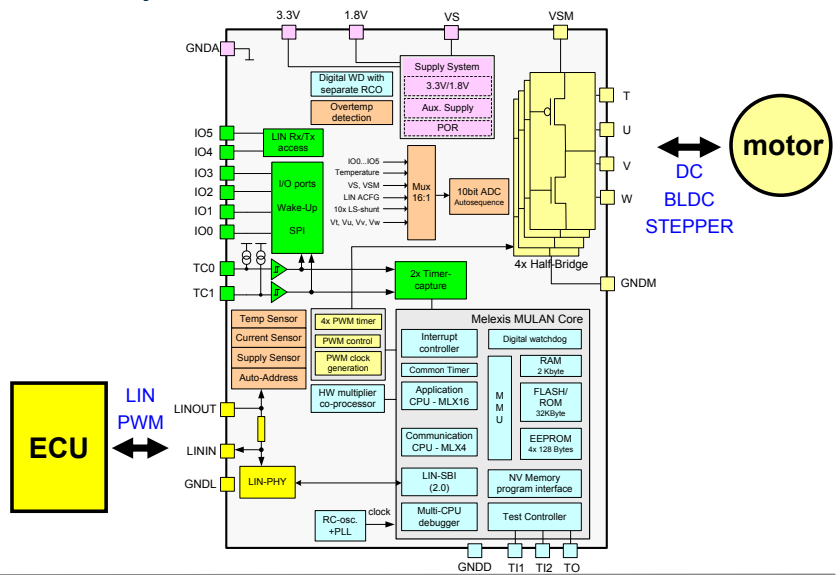
### Development support

- Demo starter solution for custom motor on request
- User control of Demo via PC + USB LIN Master
- Mini-MLX16 emulator for software development
- PTC04 rack for Production-Flash-Programming

## MLX813xx block diagram



## Compact interface with ECU & Motor



## Disclaimer:

Devices sold by Melexis are covered by the warranty and patent indemnification provisions appearing in its Term of Sale. Melexis makes no warranty, express, statutory, implied, or by description regarding the information set forth herein or regarding the freedom of the described devices from patent infringement. Melexis reserves the right to change specifications and prices at any time and without notice. Therefore, prior to designing this product into a system, it is necessary to check with Melexis for current information. This product is intended for use in normal commercial applications. Applications requiring extended temperature range, unusual environmental requirements, or high reliability applications, such as military, medical life-support or life-sustaining equipment are specifically not recommended without additional processing by Melexis for each application. The information furnished by Melexis is believed to be correct and accurate. However, Melexis shall not be liable to recipient or any third party for any damages, including but not limited to personal injury, property damage, loss of profits, loss of use, interrupt of business or indirect, special incidental or consequential damages, of any kind, in connection with or arising out of the furnishing, performance or use of the technical data herein. No obligation or liability to recipient or any third party shall arise or flow out of Melexis' rendering of technical or other services. © 2010 Melexis NV. All rights reserved.