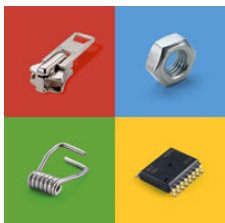


“Sensors” Division
Product Marketing & Applications

MLX90333 – PTC04 connection

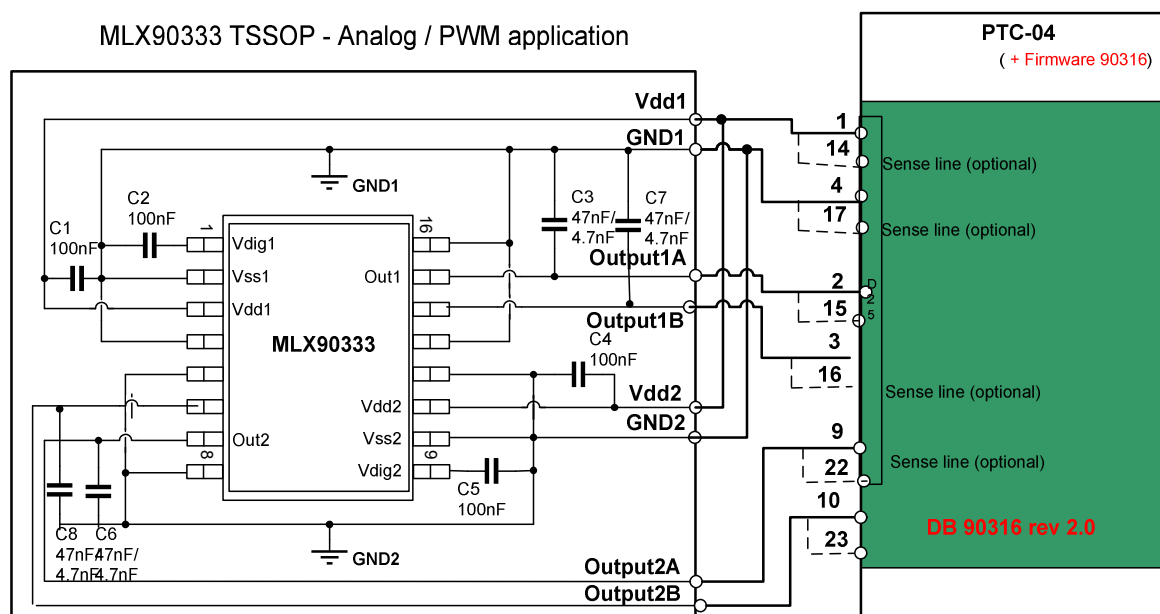


JCD— Rev. 1.0 – Tue. 01 April 2008
Filename: MLX90333_PTC04connection_Rev10_JCD_010408.doc

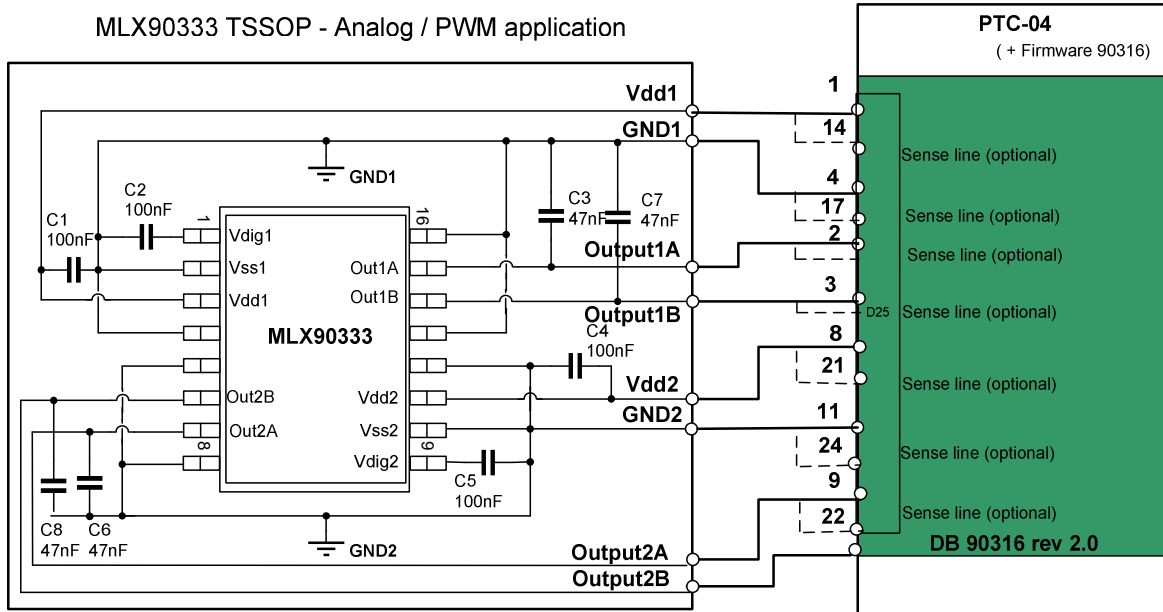
Requirements

PTC-04
DB 90316
Firmware 90316
Also check “Ptc04_DB_90316_DataSheet.pdf” for more details about local sense lines

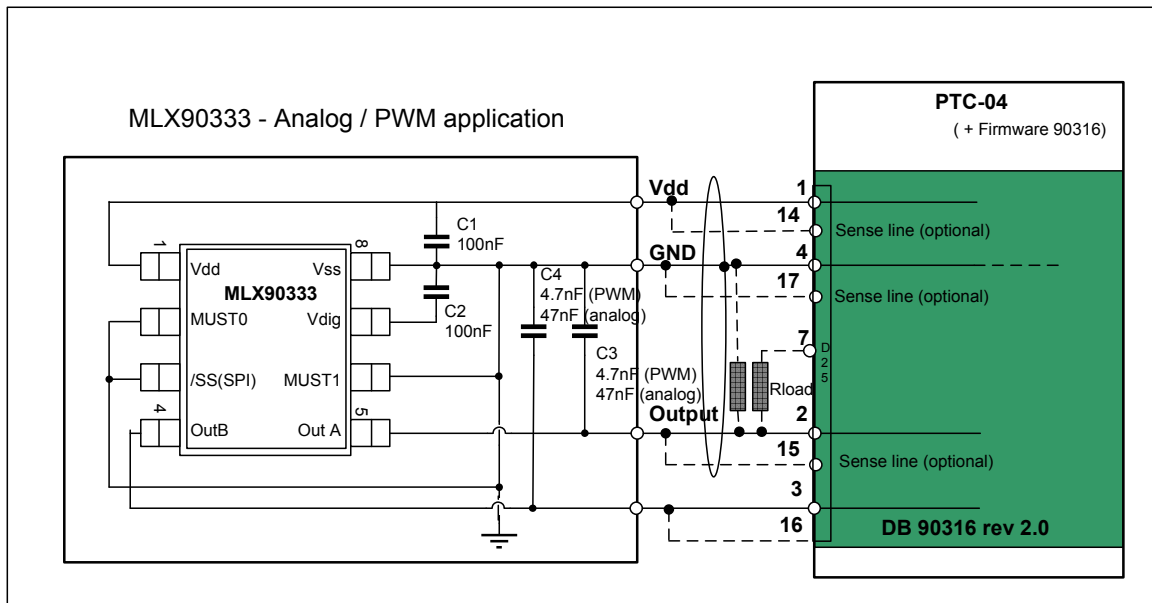
Functional Diagram TSSOP – 4 wires



Functional Diagram TSSOP – 6 wires



Functional Diagram SO – 3 wires



Functional Diagram SO – 3 wires / SPI

