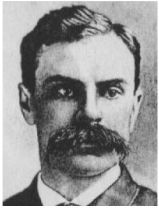


Engine Management – Hall Sensors” Business Unit



E.H. Hall

MLX90316 - RevBxx
 Universal Rotary Position Sensor IC

MLX90316 – PTC04 connection



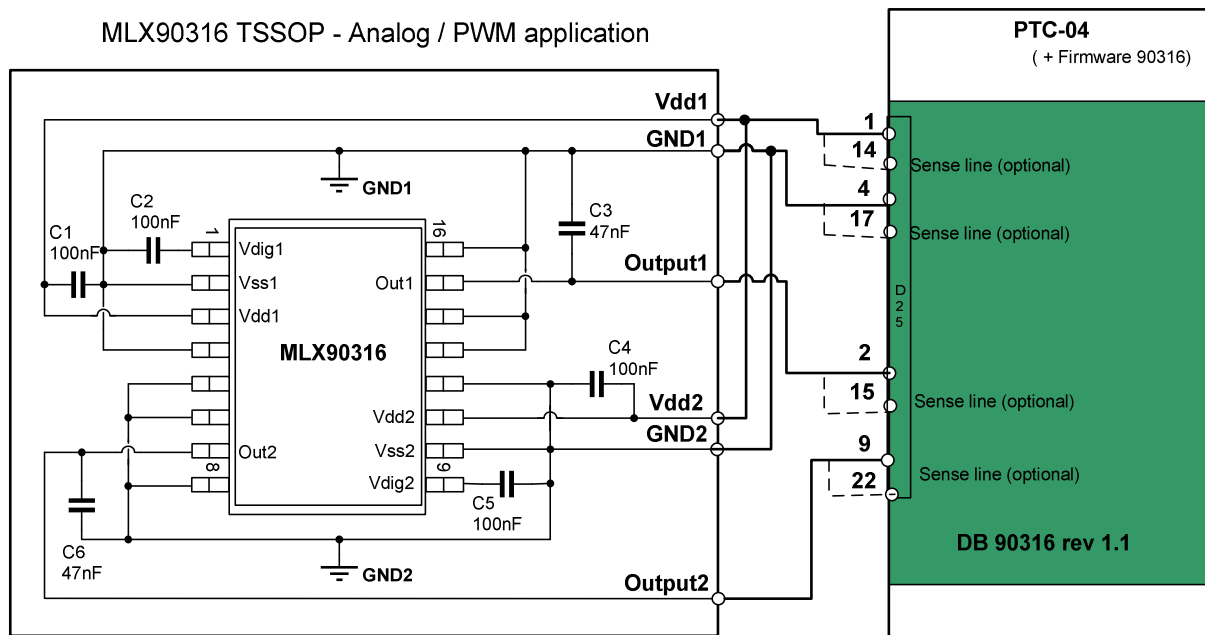
JCD— Rev. 1.1 – Sun. 27 aug. 05
 Filename: MLX90316_PTC04connection_Rev12_JCD_27Nov06.doc

:

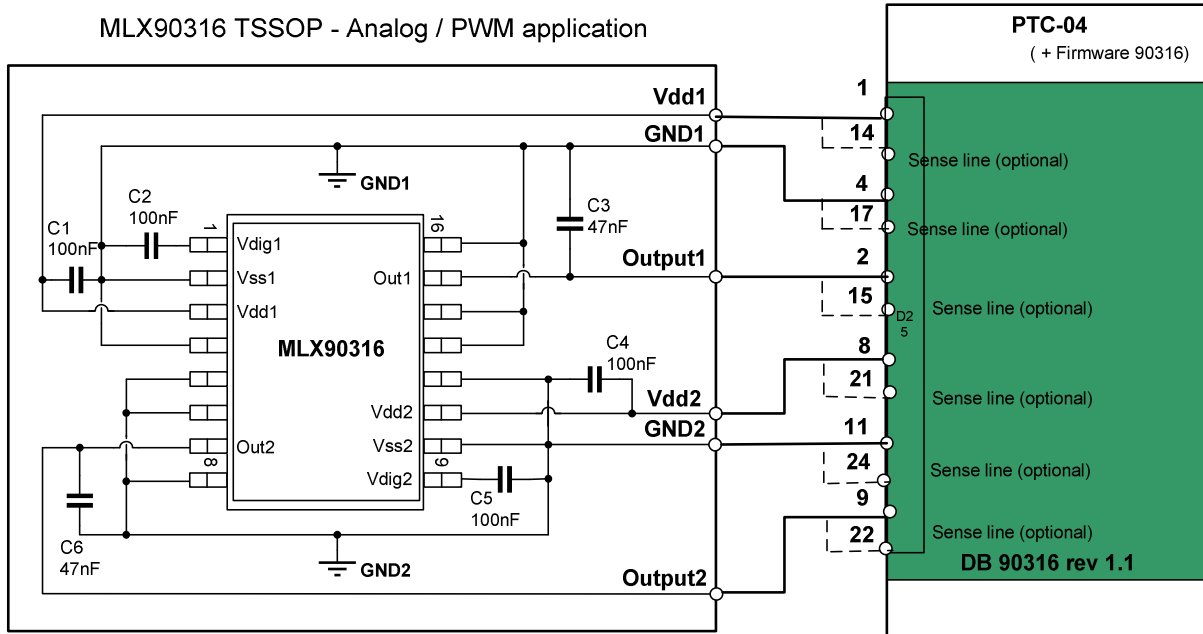
Requirements

- PTC-04
- DB 90316
- Firmware 90316
- Also check “Ptc04_DB_90316_DataSheet.pdf” for more details about local sense lines

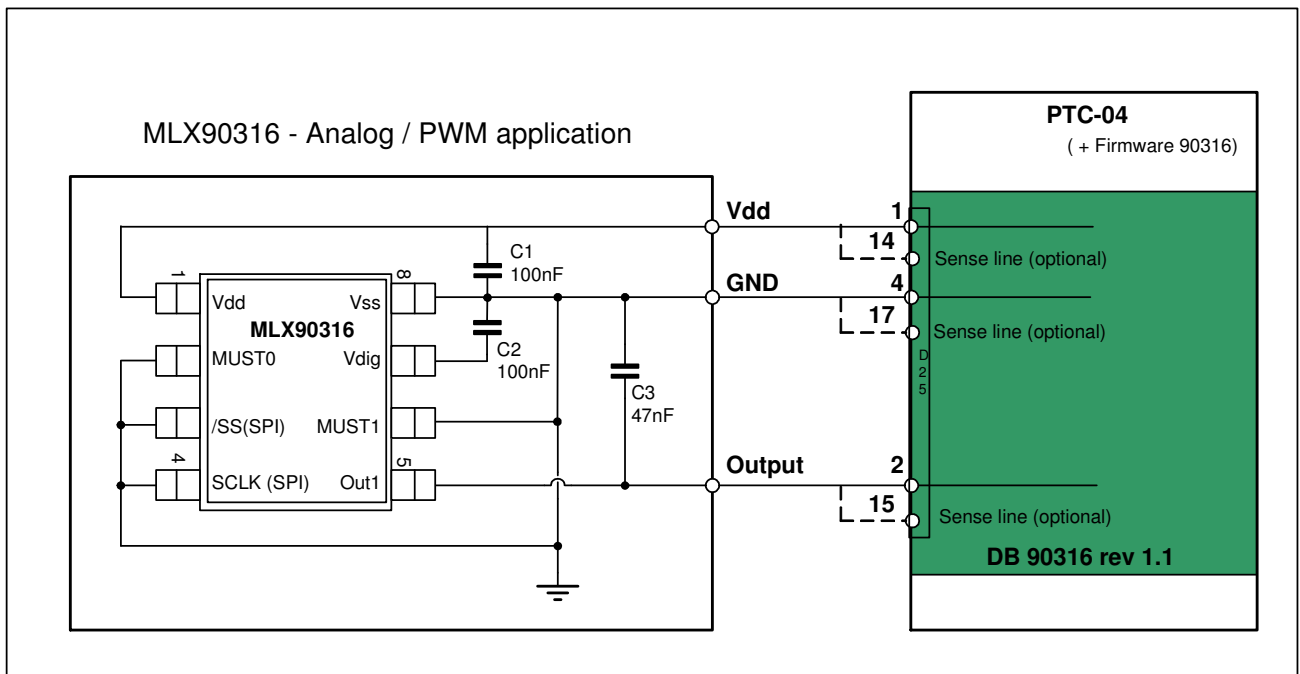
Functional Diagram TSSOP – 4 wires



Functional Diagram TSSOP – 6 wires



Functional Diagram SO – 3 wires



Functional Diagram SO – 3 wires / SPI

