

MLX92253 Datasheet

Dual Hall-Effect Latch with two Speed Outputs
Datasheet

1. Features and Benefits

- Triaxis® Hall Technology
- Magnetic dual latch functionality
- Two independent signal tracks for reliable Speed-Speed sensing
- Vertical (Z) & Lateral (X) magnetic fields
- In quadrature outputs (90° phase shift) for pitch independent designs
- Output state feedback during start-up
- For microcontroller embedded designs
- Chopping frequency of 500 kHz
- Operating voltage range from 2.7V to 5.5V
- Operating temperature from -40°C to 150°C
- High ESD rating: 8kV (HBM)
- Under-Voltage Reset
- Industry standard TSOT23-5L & VA package
- AEC-Q100 automotive qualified

2. Application Examples

- Linear speed & direction detection: window lifters and closures with anti-pinch features, power lift gates
- Rotation speed & direction detection: cadence sensor for e-bikes, fans, valves
- Angular position detection: knobs, jog wheels, DC motor indexing

3. Description

The MLX92253 is a Hall-effect dual latch designed in CMOS technology. The device integrates a voltage regulator, two Hall sensors with offset cancellation and two open-drain outputs in a single package.

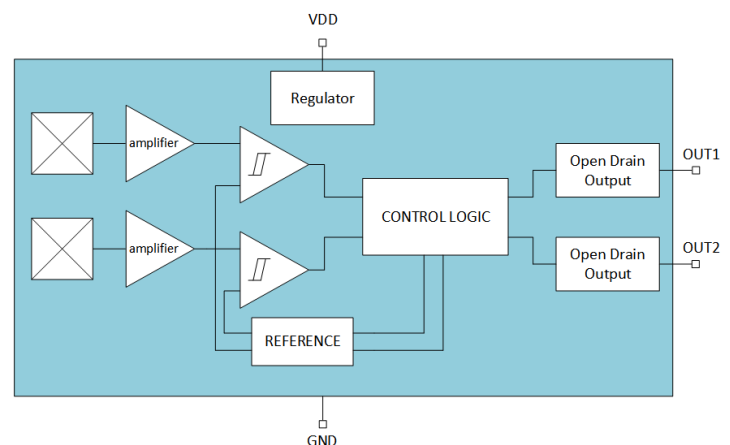
The two Hall sensors, one sensing the Z axis and one sensing the X axis, are integrated on the same piece of silicon with two independent signal tracks

and a common magnetic center. This ensures that the two speed outputs have a 90° phase shift regardless of magnet pole pitch, giving the customer more freedom in their magnetic design and faster reuse across multiple platforms.

Each speed output can be switched ON (LOW state) or OFF (HIGH state) by applying a sufficiently strong positive (South) or negative (North) magnetic field on one of the axes. OUT1 is sensitive to magnetic field on the Z axis, while OUT2 is sensitive to magnetic field on the X axis. Without magnetic field, the device will keep its last state.

The start-up feedback function can be used to turn the two outputs into inputs during Power-On. This function enables the customer to recover the last known state of the IC prior power-down in order to never miss a turn. The microcontroller should provide the necessary inputs at the starting point. This function is described in detail in chapter 9.2.

The MLX92253 is delivered in a green compliant 5-pin Thin Small Outline Transistor (TSOT) package for surface-mount applications. Engineering samples are available in a leaded 4-pin (VA) package.



MLX92253 Datasheet

Dual Hall-Effect Latch with two Speed Outputs
Datasheet

Contents

1. Features and Benefits	1
2. Application Examples	1
3. Description	1
4. Ordering Information	3
5. Pin Definitions and Descriptions	4
5.1. Pin definition for TSOT-5L (SE) package	4
5.2. Pin definition for VA package (engineering samples available)	4
6. Absolute Maximum Ratings	5
7. General Electrical Specifications	6
8. Magnetic Specification	7
9. Detailed Description	7
9.1. Application schematic	7
9.2. Start-up feedback	8
9.3. Output function	9
9.4. Output jitter	11
10. Magnetic Behavior	12
10.1. Active magnetic pole definition	12
10.2. Output characteristics	12
10.3. Indexing magnet position.....	13
11. Package Information	14
11.1. TSOT-5L (SE Package)	14
11.2. TSOT-5L – Sensitive spot	15
11.3. VA Package (engineering samples available)	16
12. Standard Information	18
12.1. Storage and handling of plastic encapsulated ICs.....	18
12.2. Assembly of encapsulated ICs.....	18
12.3. Environment and sustainability	18
13. ESD Precautions	18
14. Contact	19
15. Disclaimer	19

MLX92253 Datasheet

Dual Hall-Effect Latch with two Speed Outputs
Datasheet

4. Ordering Information

Product	Temperature	Package	Option Code	Packing Form	Definition
MLX92253	L	SE	AAA-000	-RE	Dual latch with two speed outputs in TSOT-5L package.
MLX92253	L	VA ⁽¹⁾	AAA-000	-BU	Dual latch with two speed outputs in VA package.

Engineering samples available for the VA package variant.

Legend:

Temperature Code:	L: T _a from -40°C to 150°C
Package Code:	SE: TSOT-5L package VA: VA package
Option Code:	MLX92253Lxx-AAA-000-xx = Dual latch (ZX) with two speed outputs where OUT1 is corresponding to the B _z magnetic field and OUT2 corresponding to the B _x magnetic field.
Packing Form:	RE: REEL BU: BULK
Ordering Example:	MLX92253LSE-AAA-000-RE

Contact your sales representative for different product variants such as Pulse & Direction output types.

¹ Samples delivered in VA package are engineering samples for prototyping.

MLX92253 Datasheet

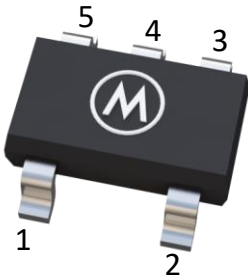
Dual Hall-Effect Latch with two Speed Outputs
Datasheet

Glossary of Terms

Term	Definition
Gauss (G), Tesla (T)	Units for the magnetic flux density – 1 mT = 10 G
TC	Temperature Coefficient (in ppm/°C)
B _{OP}	Operating magnetic threshold
B _{RP}	Release magnetic threshold
HBM	Human Body Model

5. Pin Definitions and Descriptions

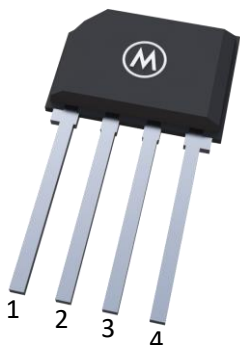
5.1. Pin definition for TSOT-5L (SE) package



Pin №	Name	Description
1	OUT1	Open-drain output 1/Feedback input (Z)
2	OUT2	Open-drain output 2/Feedback input (X)
3	VDD	Supply pin
4	GND	Ground pin
5	GND	Ground pin

Both GND pins (4 and 5) should be connected to ground

5.2. Pin definition for VA package (engineering samples available)



Pin №	Name	Description
1	OUT2	Open-drain output 2/Feedback input (X)
2	VDD	Power Supply
3	GND	Ground pin
4	OUT1	Open-drain output 1/Feedback input (Z)

MLX92253 Datasheet

Dual Hall-Effect Latch with two Speed Outputs
Datasheet

6. Absolute Maximum Ratings

Parameter	Symbol	Value	Unit
Supply voltage	V_{DD}	7	V
Supply current ^(1,2,3)	I_{DD}	20	mA
Reverse supply voltage	V_{DDREV}	-0.5	V
Reverse supply current ^(1,2,3)	I_{DDREV}	-20	mA
Output voltage	V_{OUT}	7	V
Reverse output voltage	V_{OUTREV}	-0.5	V
Reverse output current ^(1,2,3)	I_{OUTREV}	-20	mA
Maximum junction temperature	T_J	165	°C
ESD HBM ⁽⁴⁾	-	8	kV

Exceeding the absolute maximum ratings may cause permanent damage. Exposure to absolute maximum-rated conditions for extended periods may affect device reliability.

¹ For a maximum of 500ms

² Including current through the protection device

³ Maximum junction temperature should not be exceeded

⁴ Human Body Model according AEC-Q100-002 standard

MLX92253 Datasheet

Dual Hall-Effect Latch with two Speed Outputs
Datasheet

7. General Electrical Specifications

Operating conditions T_A -40°C to 150°C (unless otherwise specified)

Electrical Parameter	Symbol	Min	Typ ⁽¹⁾	Max	Unit	Condition
Supply voltage	V_{DD}	2.7	-	5.5	V	
Supply current	I_{DD}	-	5	6.5	mA	
Power-on Reset voltage	V_{POR}	-	2.5	2.6	V	
Power-on Time ⁽²⁾	t_{PON}	-	20	40	μ s	$V_{DD} = 5V, dV_{DD}/dt > 2V/\mu$ s
Power-on state	-	High			-	Output state during T_{PON}
Output leakage current	I_{OFF}	-	0.01	5	μ A	$B < B_{RP}, V_{OUT} = 5.5V$
Output saturation voltage	V_{OUTS}	-	0.3	0.6	V	$I_{OUT} = 10mA$
Output short-circuit current	I_{SC}	15	-	40	mA	
Output rise/fall time ^(3,4)	T_R/T_F	0.15	0.3	0.5	μ s	$V_{DD} = 5V, V_{PU} = 5V,$ $R_{PU} = 1k\Omega, C_L = 50pF$
Chopping frequency	F_{CHOP}	-	500	-	kHz	
Output refresh period	T_{PER}	-	4	6	μ s	
Output jitter (p-p value) ⁽³⁾	T_{jitter}	-	5	-	μ s	Over 1000 successive switching events @10kHz triangle wave, $B_{PEAK} \geq 30mT$
Maximum switching frequency ⁽⁵⁾	F_{SW}	40	66	-	kHz	$B \geq 10mT$ triangle wave magnetic field
Feedback input HIGH voltage ⁽⁶⁾	V_{IH}	1.8	-	-	V	
Feedback input LOW voltage ⁽⁶⁾	V_{IL}	-	-	0.8	V	
SE package thermal resistance	R_{THJA}	-	300	-	$^{\circ}C/W$	

¹ Typical values are given for $T_A = 25^{\circ}C$ and $V_{DD} = 5V$

² Measured from the moment $V_{DD} = 2.7V$ until the first update of the outputs

³ Guaranteed by design and verified during characterization, not production tested

⁴ Measured between $0.1 * V_{PU}$ and $0.9 * V_{PU}$ where V_{PU} is the pull-up voltage and R_{PU} is the pull-up resistance

⁵ The maximum frequency of the applied magnetic field which is detected without loss of pulses

⁶ Only valid during start-up

MLX92253 Datasheet

Dual Hall-Effect Latch with two Speed Outputs
Datasheet

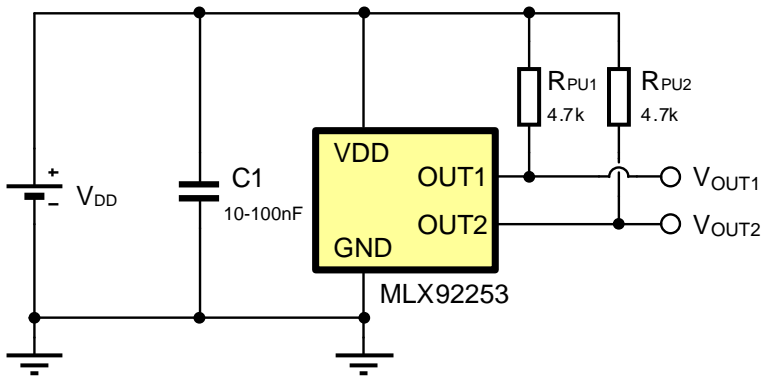
8. Magnetic Specification

Operating conditions V_{DD} 2.7V to 5.5V, T_A -40°C to 150°C (unless otherwise specified)

Parameter	Symbol	Min	Typ ⁽¹⁾	Max	Unit	Condition
Operating point	B _{OP}	0.2	1.5	2.8	mT	
Release point	B _{RP}	-2.8	-1.5	-0.2	mT	
Temperature coefficient ^(2,3)	TC	-	0	-	ppm/°C	
Symmetry ⁽³⁾	B _{SYM}	-1.7	-	1.7	mT	B _{Opz} + B _{Rpz} , B _{OpX} + B _{RpX}
Operating point Symmetry ⁽³⁾	B _{SYM_op}	-1.7	-	1.7	mT	B _{Opz} - B _{OpX}
Release point Symmetry ⁽³⁾	B _{SYM_rp}	-1.7	-	1.7	mT	B _{Rpz} - B _{RpX}

9. Detailed Description

9.1. Application schematic



Note:

For proper operation a 10-100nF bypass capacitor should be connected between the supply and ground as close to the VDD and GND pins as possible.

¹ Typical values are given for $T_A = 25^\circ\text{C}$ and $V_{DD} = 5\text{V}$

² The temperature coefficient is calculated using the following formula:

$$TC = \frac{B_{T_2} - B_{T_1}}{B_{25^\circ\text{C}} \times (T_2 - T_1)} \times 10^6 \left[\frac{\text{ppm}}{^\circ\text{C}} \right], \text{ Where } T_1 = -40^\circ\text{C} \text{ and } T_2 = 150^\circ\text{C}$$

³ Guaranteed by design and verified during characterization, not production tested

9.2. Start-up feedback

The start-up feedback turns the outputs of the device into inputs during the power-on time. After t_{PON} has elapsed the chip will use the externally provided states of the outputs to configure the references of the comparators for each channel. After t_{PON} the state of each output will depend on the applied field on each axis. If the applied field is not sufficiently strong to trigger a switch, the outputs will remain in the states that were externally provided during start-up.

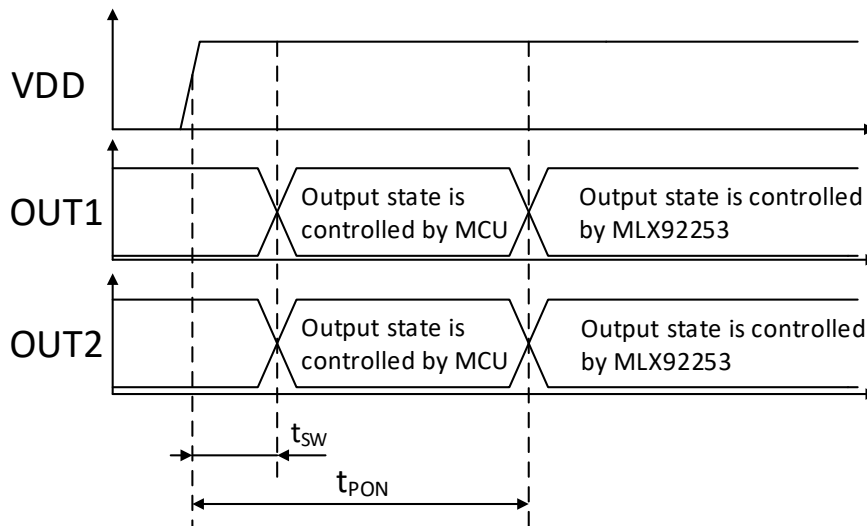


Figure 3

Shown in *Figure 3* is a timing diagram of a typical start-up procedure. Where t_{SW} is the time from providing power to the chip to providing valid start-up state on the output pins, t_{PON} is the time from the moment $V_{DD} = V_{POR}$ until the first update of the output state. The duration of t_{SW} should not exceed $5\mu s$, exceeding this time could lead to unsuccessful configuration of the device. t_{SW} can be $0\mu s$ or even have a negative value. Therefore, the state of the outputs can be provided to the chip simultaneously with the VDD or even before applying the VDD. The start-up state should be provided for the full duration of t_{PON} . For more information about t_{PON} refer the chapter “7. General electrical specifications”.

MLX92253 Datasheet

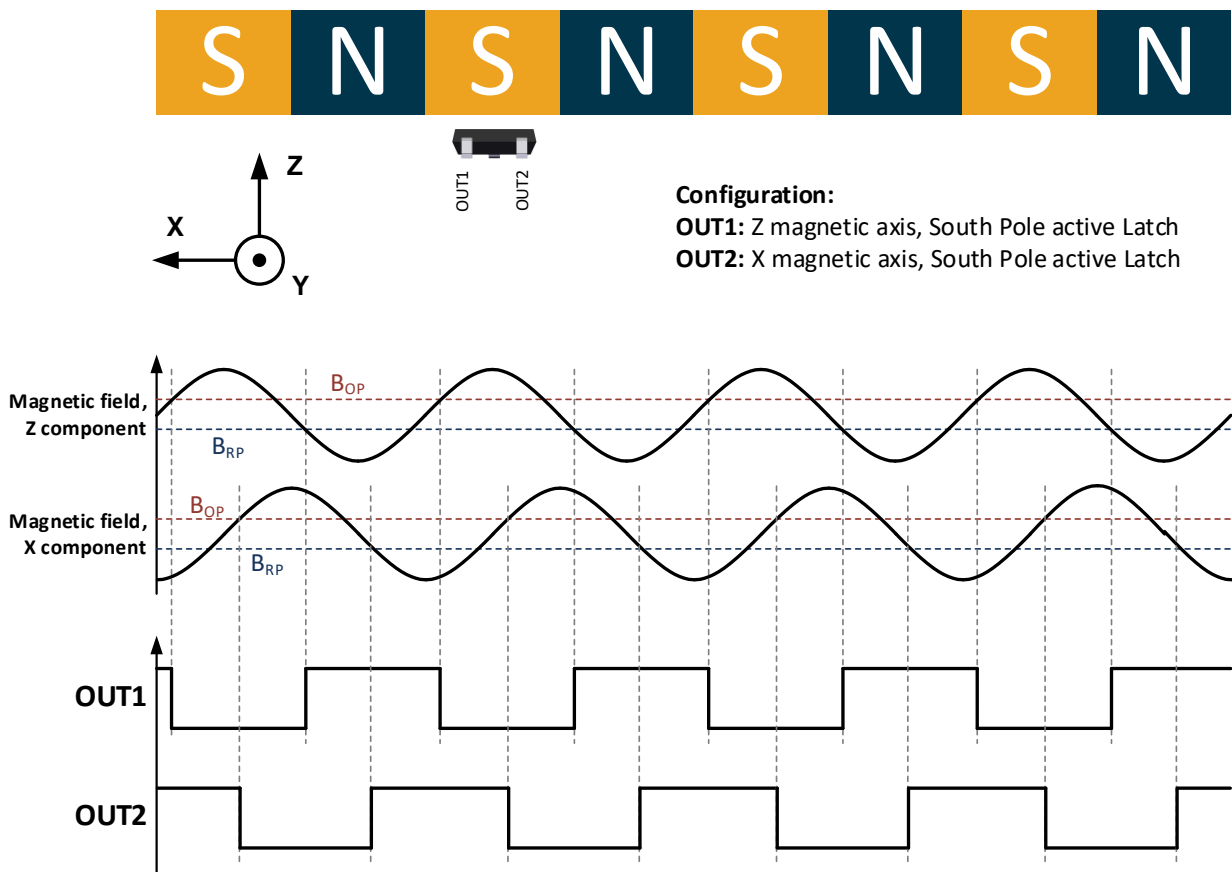
Dual Hall-Effect Latch with two Speed Outputs
Datasheet

9.3. Output function

Shown in the diagram below is the output behavior with respect to the position of a magnet. The direction of movement/rotation, the position (number of magnetic poles passed by) and speed can all be extracted from the two output signals.

As noticed in the graphs below, the output relation of the TSOT-5L compared to VA is different due to the magnet pole definition of the X-axis. Please refer to chapter 10.1 for the magnetic pole definition. Changing the orientation of the sensor's package towards the magnet can result in a different output behavior.

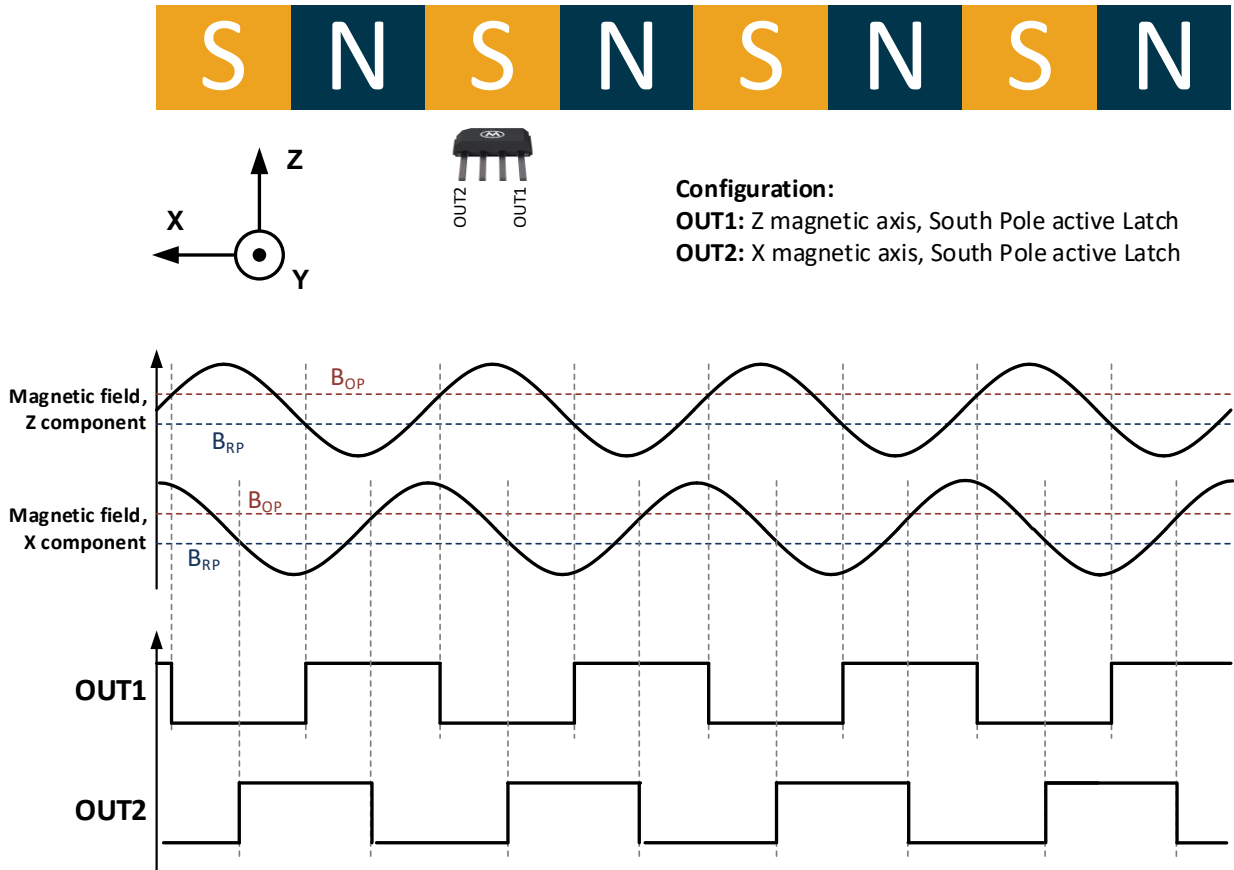
9.3.1. TSOT-5L output function



MLX92253 Datasheet

Dual Hall-Effect Latch with two Speed Outputs
Datasheet

9.3.2. VA output function

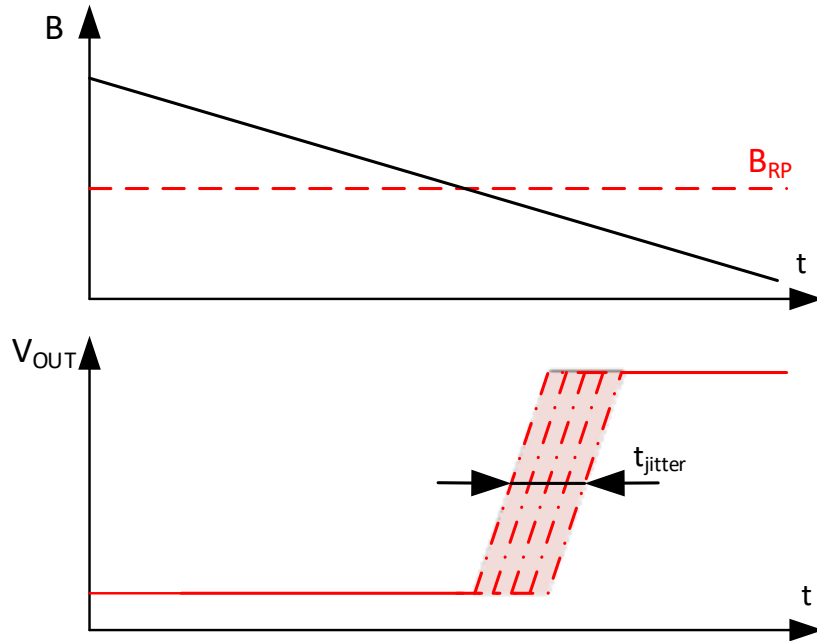


MLX92253 Datasheet

Dual Hall-Effect Latch with two Speed Outputs
Datasheet

9.4. Output jitter

Output jitter is measured over a period of 1000 consecutive switching events. A magnetic field with triangular form, switching frequency $F = 10\text{kHz}$ and amplitude $B_{\text{PEAK}} = \pm 30\text{mT}$ is applied. The parameter t_{jitter} is calculated as the difference between the maximum and minimum reaction times of the device.

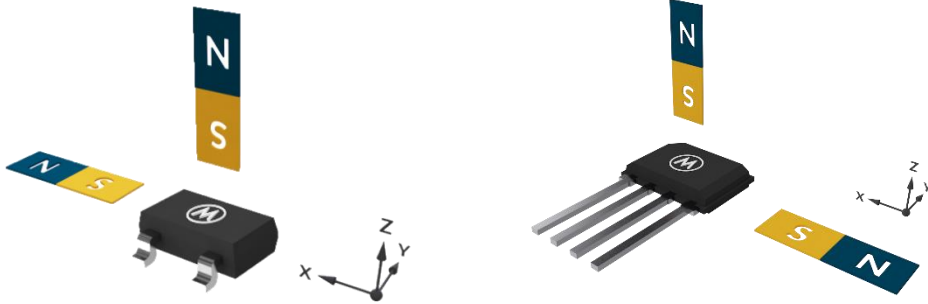


MLX92253 Datasheet

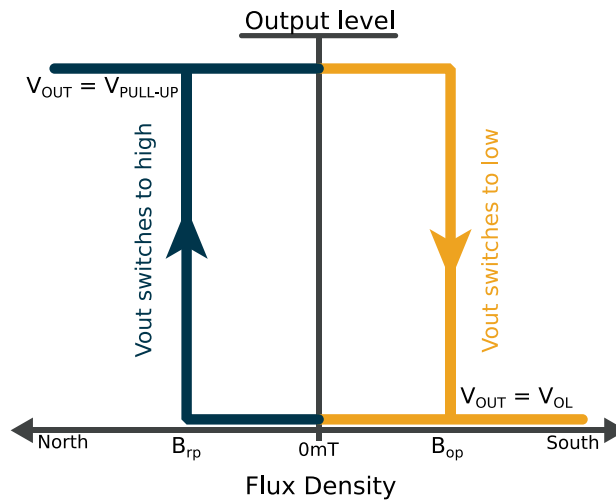
Dual Hall-Effect Latch with two Speed Outputs
Datasheet

10. Magnetic Behavior

10.1. Active magnetic pole definition



10.2. Output characteristics



Magnetic Pole	Output state	Condition
South pole	LOW	$B > B_{OP}$
North pole	HIGH ⁽¹⁾	$B < B_{RP}$

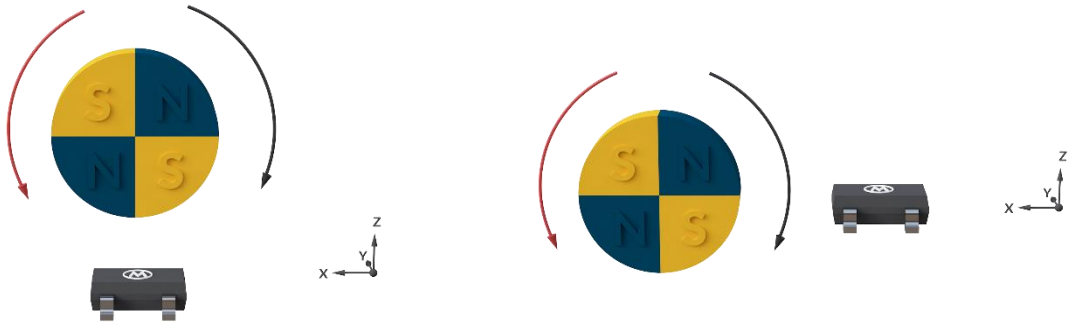
¹ Default start-up state when the start-up feedback is not used.

MLX92253 Datasheet

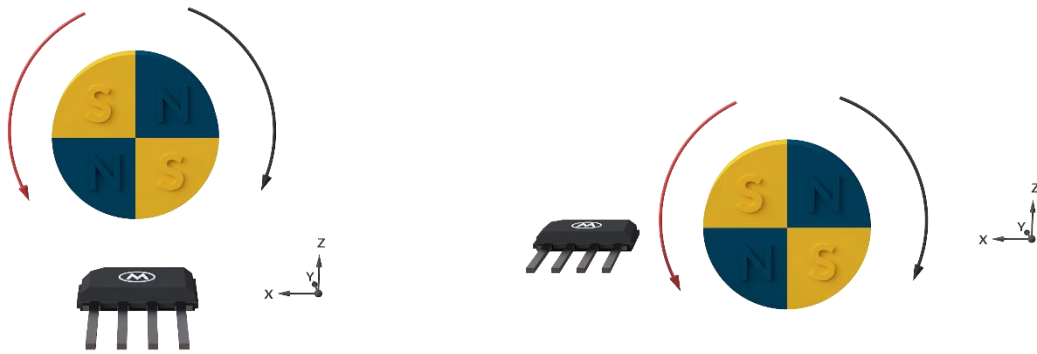
Dual Hall-Effect Latch with two Speed Outputs
Datasheet

10.3. Indexing magnet position

The output relation of the TSOT-5L compared to VA is different due to the magnet pole definition of the X-axis. Please refer to chapter 10.1 for the magnetic pole definition. Positioning the sensor in different orientations will define the output behavior. The pictures below are examples of how the magnet can be positioned.



ZX configuration TSOT-5L



ZX configuration VA

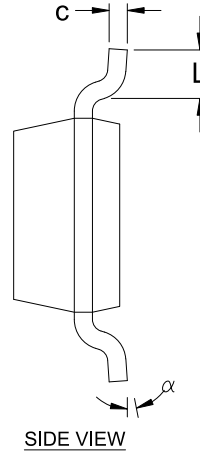
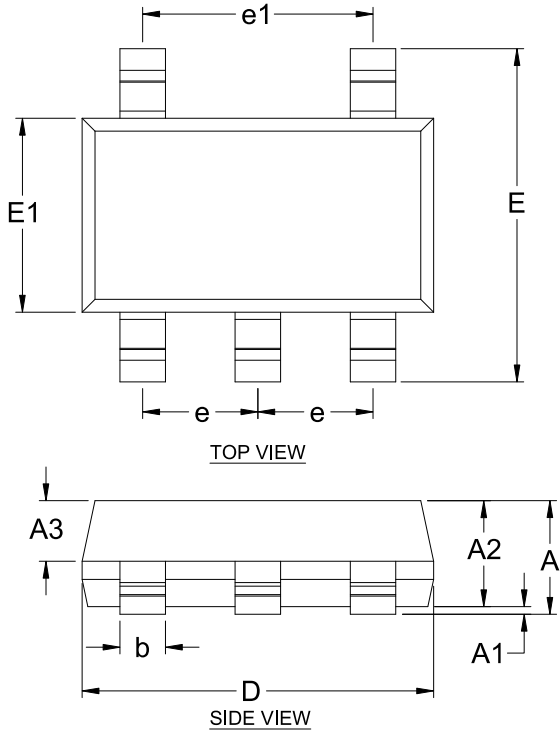
MLX92253 Datasheet

Dual Hall-Effect Latch with two Speed Outputs
Datasheet

11. Package Information

11.1. TSOT-5L (SE Package)

11.1.1. TSOT-5L – Package dimensions



SYMBOL	MINIMUM	MAXIMUM
A	---	1.00
A1	0.025	0.10
A2	0.85	0.90
A3	0.50 BSC	
D	2.80	3.00
E	2.60	3.00
E1	1.50	1.70
L	0.30	0.50
b	0.30	0.45
c	0.10	0.20
e	0.95 BSC	
e1	1.90 BSC	
α	0°	8°

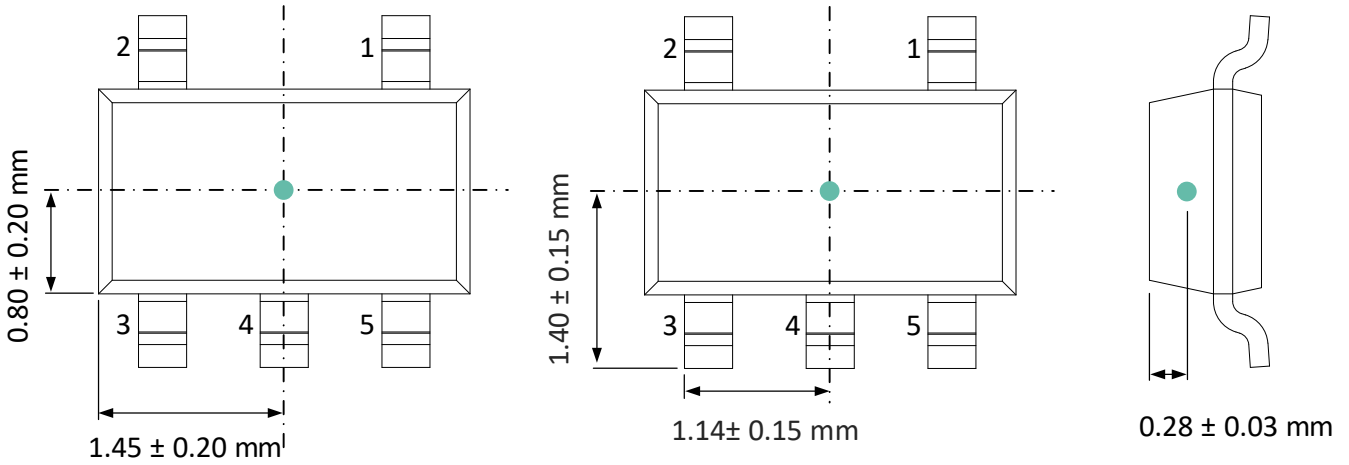
NOTE :

1. ALL DIMENSIONS IN MILLIMETERS (mm) UNLESS OTHERWISE STATED.
2. DIMENSION D DOES NOT INCLUDE MOLD FLASH OR PROTRUSIONS OF MAX 0.15 mm PER SIDE.
3. DIMENSION E DOES NOT INCLUDE MOLD FLASH OR PROTRUSIONS OF MAX 0.25 mm PER SIDE.
4. DIMENSION b DOES NOT INCLUDE DAMBAR PROTRUSION OF MAX 0.07 mm.
5. DIMENSION L IS THE LENGTH OF THE TERMINAL FOR SOLDERING TO A SUBSTRATE.
6. FORMED LEAD SHALL BE PLANAR WITH RESPECT TO ONE ANOTHER WITH 0.076 mm SEATING PLANE.

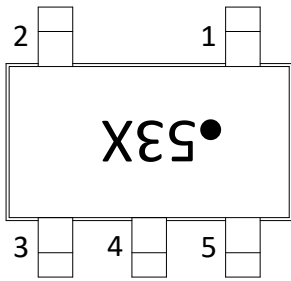
MLX92253 Datasheet

Dual Hall-Effect Latch with two Speed Outputs
Datasheet

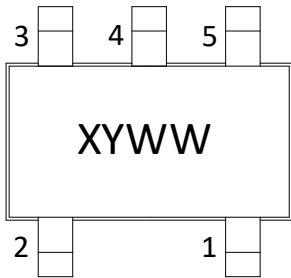
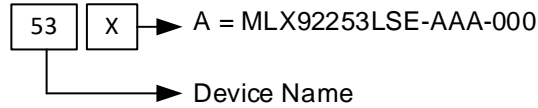
11.2. TSOT-5L – Sensitive spot



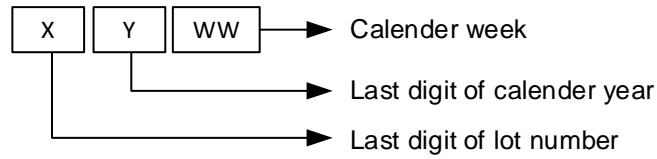
11.2.1. TSOT-5L – Package marking



Top



Bottom

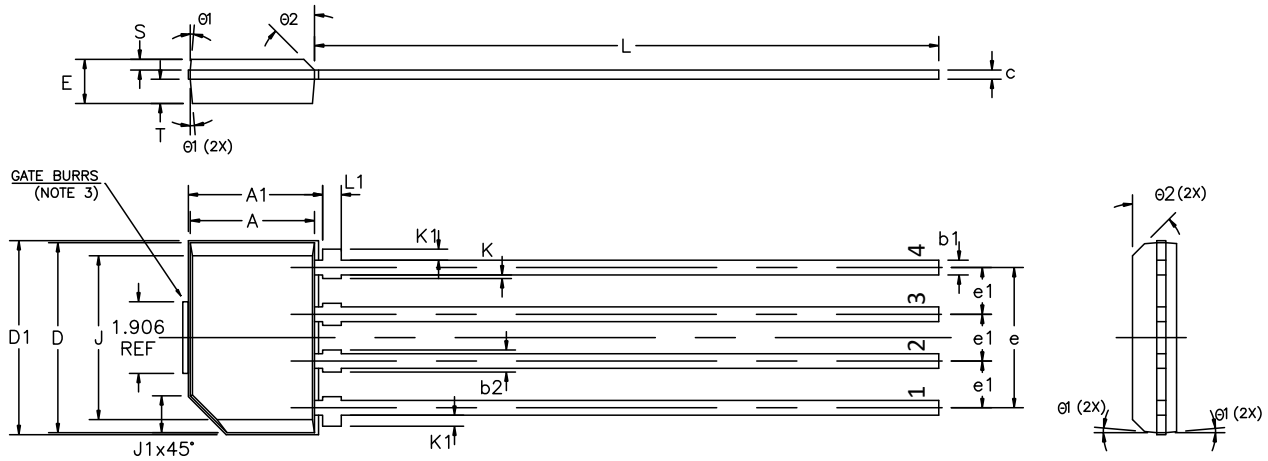


MLX92253 Datasheet

Dual Hall-Effect Latch with two Speed Outputs
Datasheet

11.3. VA Package (engineering samples available)

11.3.1. VA – Package dimensions



SYMBOLS	DIMENSIONS IN MILLIMETERS		
	MIN	NOM	MAX
A	3.30	3.38	3.46
A1	3.63	3.71	3.79
D	5.08	5.16	5.24
D1	5.33	5.38	5.43
E	1.10	---	1.20
J	4.10	4.30	4.50
J1	1.00 REF		
K	0.00	---	0.15
K1	0.25	0.30	0.35
L	17.5	18.0	18.5
L1	0.48	0.53	0.58
S	0.24	---	0.29
T	0.61	---	0.66
b1	0.35	---	0.48
b2	0.40	---	0.60
c	0.18	---	0.34
e	3.76	---	3.86
e1	1.22	1.27	1.32
$\theta 1$	5° REF		
$\theta 2$	45° REF		

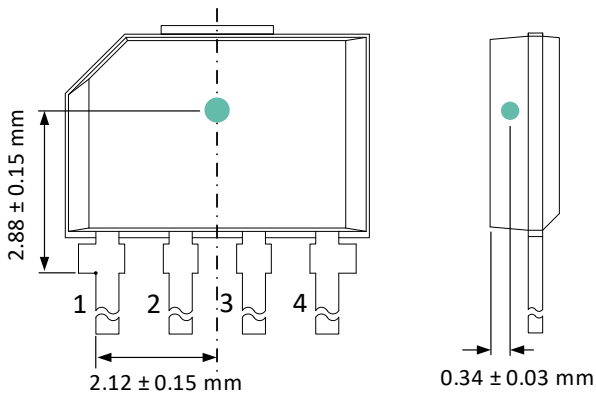
Note:

- DIMENSIONS "A" AND "D" DO NOT INCLUDE MOLD FLASH, PROTRUSIONS AND GATE BURRS.
- DIMENSIONS "A1" DOES NOT INCLUDE GATE BURRS BUT INCLUDES MOLD FLASH AT BOTH ENDS.
- MOLD GATE BURRS SHALL NOT EXCEED 0.15 mm MEASURED FROM EDGE OF MOLD FLASH (FLANGE).
- DIMENSION "D1" INCLUDES MOLD FLASH AT BOTH ENDS.
- LEAD PLATING; MATTE TIN PLATING THICKNESS 7.62 – 15.42 μm .
- THE LEADS MAY BE SLIGHTLY DEFORMED DURING TRANSPORTATION IF PACKED IN BULK (BAG), AFFECTING e1 DIMENSION. IT IS RECOMMENDED TO ORDER RADIAL TAPE (REEL OR AMMOPACK) IF SUCH DEFORMATION IS CRITICAL FOR THE LEAD FORMING PROCESS, EVEN IF MANUAL LOADING INTO THE TOOL IS FORESEEN.

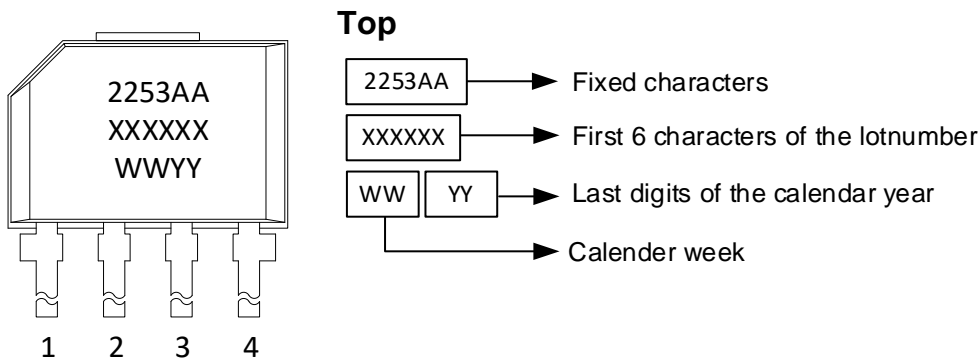
MLX92253 Datasheet

Dual Hall-Effect Latch with two Speed Outputs
Datasheet

11.3.2. VA – Sensitive spot



11.3.3. VA – package marking



MLX92253 Datasheet

Dual Hall-Effect Latch with two Speed Outputs
Datasheet

12. Standard Information

12.1. Storage and handling of plastic encapsulated ICs

Plastic encapsulated ICs shall be stored and handled according to their MSL categorization level (specified in the packing label) as per J-STD-033.

Electronic semiconductor products are sensitive to Electro Static Discharge (ESD). The component assembly shall be handled in EPA (Electrostatic Protected Area) as per ANSI S20.20.

For more information refer to Melexis [*Guidelines for storage and handling of plastic encapsulated ICs*](#) ⁽¹⁾

12.2. Assembly of encapsulated ICs

For Surface Mounted Devices (SMD, as defined according to JEDEC norms), the only applicable soldering method is reflow.

For Through Hole Devices (THD), the applicable soldering methods are reflow, wave, selective wave and robot point-to-point. THD lead pre-forming (cutting and/or bending) is applicable under strict compliance with Melexis [*Guidelines for lead forming of SIP Hall Sensors*](#).

Melexis products soldering on PCB should be conducted according to the requirements of IPC/JEDEC and J-STD-001. Solder quality acceptance should follow the requirements of IPC-A-610.

For PCB-less assembly refer to the relevant application notes or contact Melexis.

Electrical resistance welding or laser welding can be applied to Melexis products in THD and specific PCB-less packages following the [*Guidelines for welding of PCB-less devices*](#).

Environmental protection of customer assembly with Melexis products for harsh media application, is applicable by means of coating, potting or overmolding considering restrictions listed in the relevant application notes ⁽¹⁶⁾.

For other specific process, contact Melexis via www.melexis.com/technical-inquiry

12.3. Environment and sustainability

Melexis is contributing to global environmental conservation by promoting non-hazardous solutions. For more information on our environmental policy and declarations (RoHS, REACH...) visit www.melexis.com/environmental-forms-and-declarations

13. ESD Precautions

Electronic semiconductor products are sensitive to Electro Static Discharge (ESD). Always observe Electro Static Discharge control procedures whenever handling semiconductor products.

¹ www.melexis.com/ic-handling-and-assembly

MLX92253 Datasheet

Dual Hall-Effect Latch with two Speed Outputs
Datasheet

14. Contact

For the latest version of this document, go to our website at www.melexis.com.
For additional information, get in touch via www.melexis.com/contact.

15. Disclaimer

The content of this document is believed to be correct and accurate. However, the content of this document is furnished "as is" for informational use only and no representation, nor warranty is provided by Melexis about its accuracy, nor about the results of its implementation. Melexis assumes no responsibility or liability for any errors or inaccuracies that may appear in this document. Customer will follow the practices contained in this document under its sole responsibility. This documentation is in fact provided without warranty, term, or condition of any kind, either implied or expressed, including but not limited to warranties of merchantability, satisfactory quality, non-infringement, and fitness for purpose. Melexis, its employees and agents and its affiliates' and their employees and agents will not be responsible for any loss, however arising, from the use of, or reliance on this document. Notwithstanding the foregoing, contractual obligations expressly undertaken in writing by Melexis prevail over this disclaimer.

This document is subject to change without notice, and should not be construed as a commitment by Melexis. Therefore, before placing orders or prior to designing the product into a system, users or any third party should obtain the latest version of the relevant information. Users or any third party must determine the suitability of the product described in this document for its application, including the level of reliability required and determine whether it is fit for a particular purpose.

This document as well as the product here described may be subject to export control regulations. Be aware that export might require a prior authorization from competent authorities. The product is not designed, authorized or warranted to be suitable in applications requiring extended temperature range and/or unusual environmental requirements. High reliability applications, such as medical life-support or life-sustaining equipment or avionics application are specifically excluded by Melexis. The product may not be used for the following applications subject to export control regulations: the development, production, processing, operation, maintenance, storage, recognition or proliferation of:

- 1. chemical, biological or nuclear weapons, or for the development, production, maintenance or storage of missiles for such weapons;*
- 2. civil firearms, including spare parts or ammunition for such arms;*
- 3. defense related products, or other material for military use or for law enforcement;*
- 4. any applications that, alone or in combination with other goods, substances or organisms could cause serious harm to persons or goods and that can be used as a means of violence in an armed conflict or any similar violent situation.*

No license nor any other right or interest is granted to any of Melexis' or third party's intellectual property rights.

If this document is marked "restricted" or with similar words, or if in any case the content of this document is to be reasonably understood as being confidential, the recipient of this document shall not communicate, nor disclose to any third party, any part of the document without Melexis' express written consent. The recipient shall take all necessary measures to apply and preserve the confidential character of the document. In particular, the recipient shall (i) hold document in confidence with at least the same degree of care by which it maintains the confidentiality of its own proprietary and confidential information, but no less than reasonable care; (ii) restrict the disclosure of the document solely to its employees for the purpose for which this document was received, on a strictly need to know basis and providing that such persons to whom the document is disclosed are bound by confidentiality terms substantially similar to those in this disclaimer; (iii) use the document only in connection with the purpose for which this document was received, and reproduce document only to the extent necessary for such purposes; (iv) not use the document for commercial purposes or to the detriment of Melexis or its customers. The confidentiality obligations set forth in this disclaimer will have indefinite duration and in any case they will be effective for no less than 10 years from the receipt of this document.

This disclaimer will be governed by and construed in accordance with Belgian law and any disputes relating to this disclaimer will be subject to the exclusive jurisdiction of the courts of Brussels, Belgium.

The invalidity or ineffectiveness of any of the provisions of this disclaimer does not affect the validity or effectiveness of the other provisions.

The previous versions of this document are repealed.

Melexis © - No part of this document may be reproduced without the prior written consent of Melexis. (2024)

IATF 16949 and ISO 14001 Certified