

# MLX90210

Pressure Sensor IC

## 1. Features and Benefits

- 0 – 1.0 Bar Range
- Differential pressure sensor
- Compact Design
- High Long Term Stability
- Low Cost

## 2. Application Examples

- Medical Instrumentation (Blood Pressure)
- Consumer Appliances
- Sports Equipment
- Pressure Difference and Flow Monitoring

## 3. Ordering information

Product Code	Temperature Code	Package Code	Option Code	Packing form Code
MLX90210	C	UF	AAA -000	WB

### Legend:

Temperature code: C for Temperature code 0°C to 70 °C

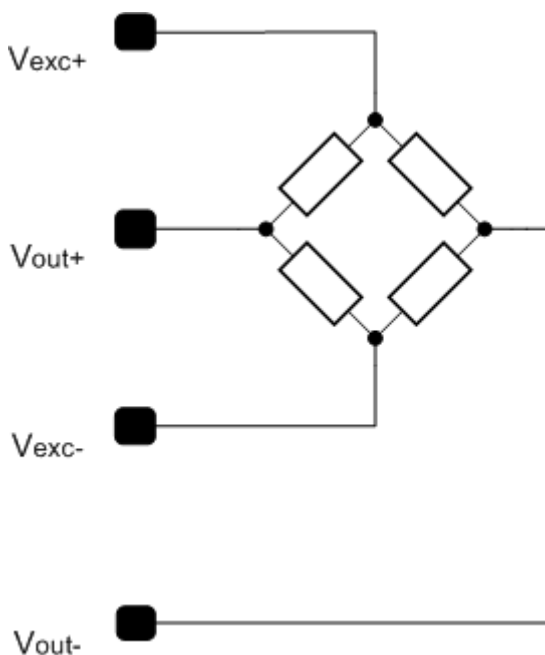
Package code: UF for Die on Foil

Option code: xxx-000: standard version

Packing form code: WB for waferbox

Ordering example: MLX90210CUF-AAA-000-WB

## 4. Functional Diagram



## 5. General Description

The MLX90210 is a discrete micromachined Pressure sensor IC suitable for pressure ranges between 0 to 1.0Bar.

The pressure medium must be dry and non-corrosive, such as air.

The circuit is a piezoresistive bridge which is realized in silicon through a special micromachining process. As pressure is applied to the bridge, a differential voltage change is seen across the  $V_{out}$  pins, while a bias voltage is applied to the  $V_{exc}$  pins.

The MLX90210 is a versatile pressure sensor solution which can be directly interfaced with other Melexis ICs such as the MLX90308, which provides amplification, signal conditioning as well as the bias current to supply the sensor itself.

## MLX90210 Electrical Specifications

DC Operating Parameters  $T_A = 25^\circ\text{C}$ ,  $V_{DD} = 5\text{V}$  (note 3), Pressure = 1.0 Bar full scale.

Parameter	Symbol		Min	Typ	Max	Units
Excitation voltage			0	5	12	V
Zero Pressure Offset	$V_{OFF}$		-20	0	+20	mV
Sensitivity	S		15	30	45	mV/V/bar
TC of the Sensitivity	TCs		-0.17	-0.21	-0.26	%/°C
Bridge Resistance	$R_{BR}$		360	400	450	Ohm
Burst Pressure					2	Bar
Operating Temp			0		70	°C
Storage Temp (2)			-55		150	°C

## MLX90210 Mechanical Dimensions (4)

Membrane Size	0.81mm x 0.81mm
Chip Thickness	0.61mm
Chip Size	1.90mm x 1.90mm

### Notes:

- 1) Temperature range refers to operation and deposit in an inert environment
- 2) Temperature range refers to operation and deposit in an inert environment
- 3) To prevent measurement errors, measure above 3V  $V_{DD}$  in impulse mode
- 4) Tolerance of 10% unless otherwise specified.

## 6. Contact

For the latest version of this document, go to our website at [www.melexis.com](http://www.melexis.com).

For additional information, please contact our Direct Sales team and get help for your specific needs:

Europe, Africa	Telephone: +32 13 67 04 95
	Email : sales_europe@melexis.com
Americas	Telephone: +1 603 223 2362
	Email : sales_usa@melexis.com
Asia	Email : sales_asia@melexis.com

## 7. Disclaimer

*The information furnished by Melexis herein ("Information") is believed to be correct and accurate. Melexis disclaims (i) any and all liability in connection with or arising out of the furnishing, performance or use of the technical data or use of the product(s) as described herein ("Product") (ii) any and all liability, including without limitation, special, consequential or incidental damages, and (iii) any and all warranties, express, statutory, implied, or by description, including warranties of fitness for particular purpose, non-infringement and merchantability. No obligation or liability shall arise or flow out of Melexis' rendering of technical or other services.*

*The Information is provided "as is" and Melexis reserves the right to change the Information at any time and without notice. Therefore, before placing orders and/or prior to designing the Product into a system, users or any third party should obtain the latest version of the relevant information to verify that the information being relied upon is current. Users or any third party must further determine the suitability of the Product for its application, including the level of reliability required and determine whether it is fit for a particular purpose.*

*The Information is proprietary and/or confidential information of Melexis and the use thereof or anything described by the Information does not grant, explicitly or implicitly, to any party any patent rights, licenses, or any other intellectual property rights.*

*This document as well as the Product(s) may be subject to export control regulations. Please be aware that export might require a prior authorization from competent authorities.*

*The Product(s) are intended for use in normal commercial applications. Unless otherwise agreed upon in writing, the Product(s) are not designed, authorized or warranted to be suitable in applications requiring extended temperature range and/or unusual environmental requirements. High reliability applications, such as medical life-support or life-sustaining equipment are specifically not recommended by Melexis.*

*The Product(s) may not be used for the following applications subject to export control regulations: the development, production, processing, operation, maintenance, storage, recognition or proliferation of 1) chemical, biological or nuclear weapons, or for the development, production, maintenance or storage of missiles for such weapons; 2) civil firearms, including spare parts or ammunition for such arms; 3) defense related products, or other material for military use or for law enforcement; 4) any applications that, alone or in combination with other goods, substances or organisms could cause serious harm to persons or goods and that can be used as a means of violence in an armed conflict or any similar violent situation.*

*The Products sold by Melexis are subject to the terms and conditions as specified in the Terms of Sale, which can be found at <https://www.melexis.com/en/legal/terms-and-conditions>.*

*This document supersedes and replaces all prior information regarding the Product(s) and/or previous versions of this document.*

*Melexis NV © - No part of this document may be reproduced without the prior written consent of Melexis. (2016)*

*ISO/TS 16949 and ISO14001 Certified*